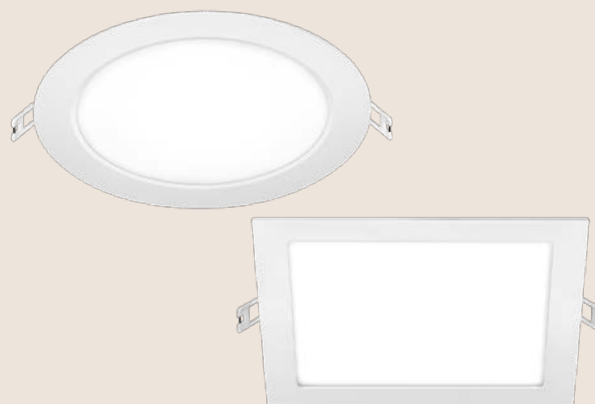


## LED Flat Downlight 3000 K Newton

The compact LEDON LED downlights are characterized by their very flat construction and homogeneous light distribution. Versions with different brightnesses allow a wide range of applications from corridor lighting in the commercial sector to residential lighting.



ITEM DESCRIPTION	ARTICLE CODE	EAN CODE
LED FDL 180 1200LM/110D/830 350MA	29001283	9 009453 012081
LED FDL 240 2100LM/110D/830 700MA	29001285	9 009453 012128
LED FDL 190x190 1100LM/110D/830 350MA	29001287	9 009453 012333
LED FDL 240x240 1900LM/110D/830 700MA	29001289	9 009453 012166

The compatible converters you can find in the separate data sheet.

GENERAL CHARACTERISTICS	
Finish	White (RAL 9016)
Luminaire Materials	Aluminum
IP Rating	IP44
Shock Resistance	IK05
UV Resistance	Yes
Switching Cycles	100 000
Start Time from 0% to 100%	< 0.5 s
Ambient Temperature	-20 °C - +40 °C
Maximum Surface Temperature	60 °C
Mercury Content	0.0 mg
Fixing	Retaining springs
Guarantee	5 years manufacturer guarantee, 3 years full guarantee

LIGHT CHARACTERISTICS				
	Ø 180 mm	Ø 240 mm	190x190 mm	240x240 mm
Rated Luminous Flux	1200 lm	2100 lm	1100 lm	1900 lm
Luminous Efficacy (including converter)	80 lm/W	96 lm/W	73 lm/W	86 lm/W
Color	Warm White			
Color Temperature	3000 K			
Color Rendering Index	> 80			
Color Consistency	< 4 Step MacAdam Ellipse			
Lumen Maintenance Factor (at end of lifetime) *	L80 B10 (30 000 h); L80 B30 (50 000 h)			
Beam Angle	110°			
Max. Luminous Intensity	480 cd	790 cd	450 cd	700 cd

\* at an ambient temperature of 25 °C

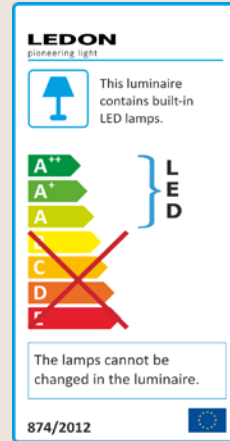
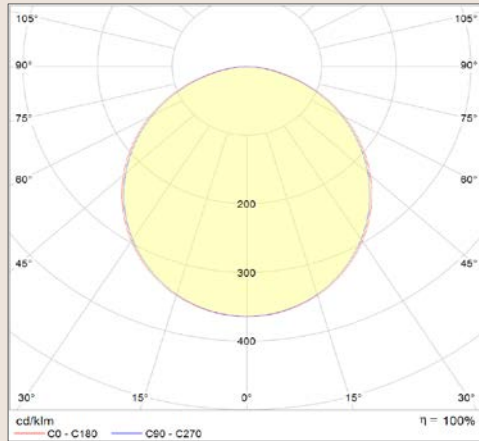
## ELECTRICAL CHARACTERISTICS

	Ø 180 mm	Ø 240 mm	190x190 mm	240x240 mm
Rated Wattage	15.0 W	22.0 W	15.0 W	22.0 W
Input Current	350 mA	700 mA	350 mA	700 mA
Supply Voltage	37-40 V DC	27-30 V DC	37-40 V DC	27-30 V DC

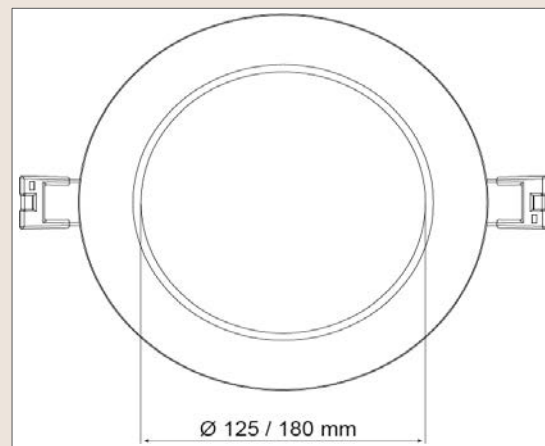
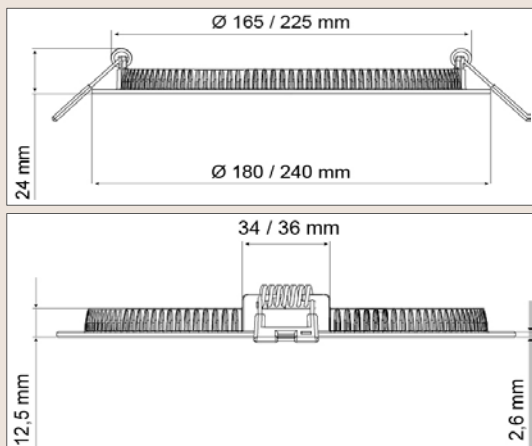
## DIMENSIONS

External Dimensions	Ø 180 mm	Ø 240 mm	190x190 mm	240x240 mm
Installation Dimensions	Ø 165 - 170 mm	Ø 227 - 235 mm	175 - 180 mm	227 - 235 mm
Height	24 mm	24 mm	25 mm	25 mm
Weight	300 g	520 g	350 g	570 g

## GRAPHICS



### Round Versions



### Square Versions

